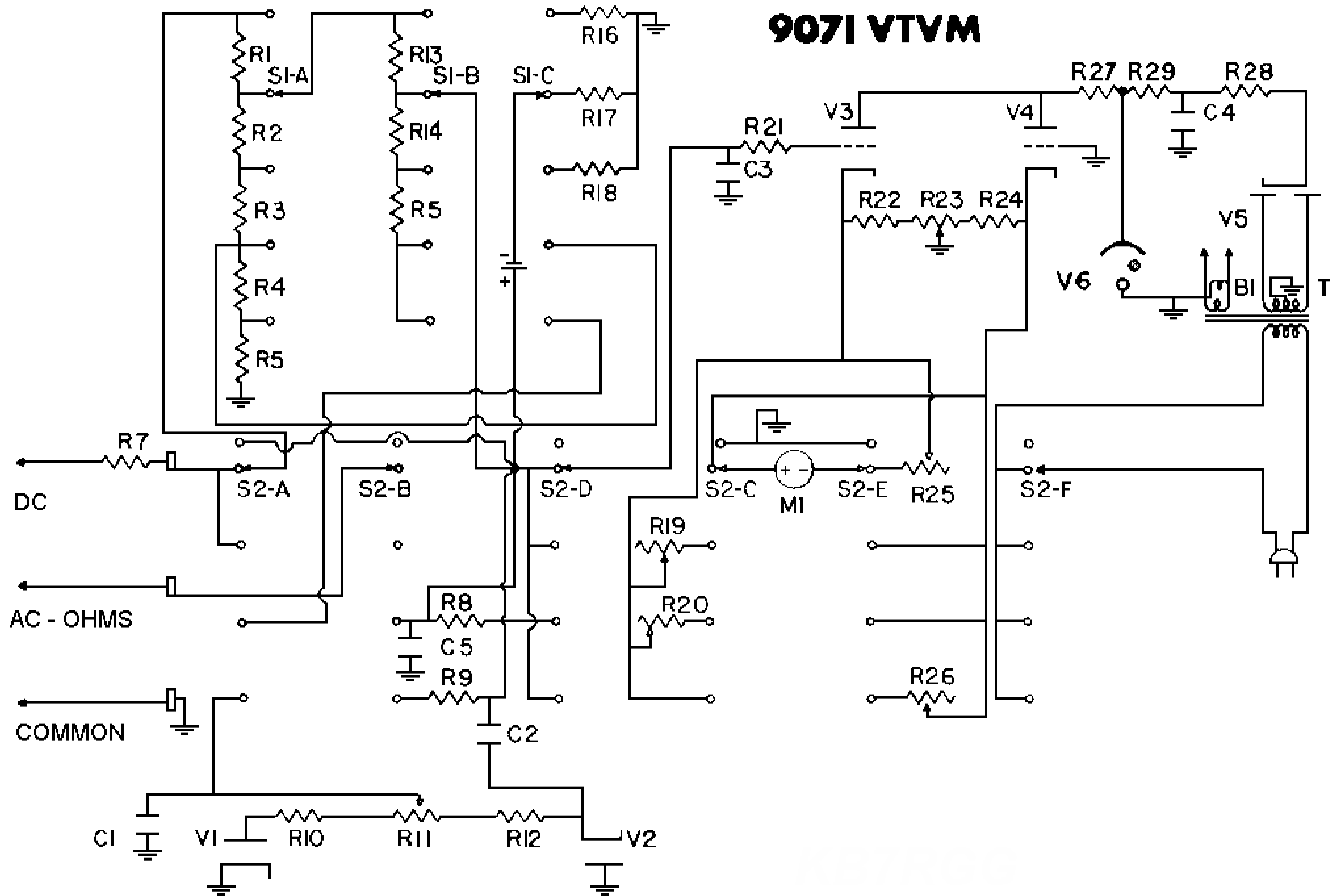


9071 VTVM



PRECISE DEVELOPMENT CORP.				
777 LONG BEACH ROAD LONG BEACH, CALIF. 90801				
MODEL	DESCRIPTION			
9071	V.T.V.M.			
DATE	DESIGN BY	DRAWN BY	CHECKED BY	
10-1-51	m.c.	A.B.S.	E.A.M.	
REVISIONS		SUPERSEDES 9071-50		

DESCRIPTION	PART #
8M ohm Res.*	R-1
1.8M ohm Res.*	R-2
.1M " " *	R-3
50K " " *	R-4, R-5
15M " "	R-7
5.6M Res.	R-8
820K ohm Res.	R-9
1.5M " "	R-10
2M ohm potentiometer	R-11
1.5M ohm Res.	R-12
3.9M " "	R-13
1.5M " "	R-14
100K " "	R-15
10 ohm Res.*	R-16
100 " " *	R-17
10K " " *	R-18
2K ohm potentiometer	R-19
" " " "	R-20
1.2M ohm Res.	R-21
470 " "	R-22
2K ohm Potentiometer	R-23
470 ohm Res.	R-24
2K ohm potentiometer	R-25
" " " "	R-26
4.7K ohm Res., 1 watt	R-27
10K ohm Res., 1 watt	R-28
4.7K ohm Res., 1 watt	R-29
3 Pole-5p Switch (1 wafer)	S-1
6 pole-5p Switch (2 wafer)	S-2
Power Transformer	T-1
6AL5 Tube	V1, V2
6SN7 " "	V3, V4
6X5 " "	V-5
0A2 " "	V-6
.01 ufd Cond.	C-1, C-2, C-5
.0015 ufd Cond.	C-3
24 ufd Cond.	C-4