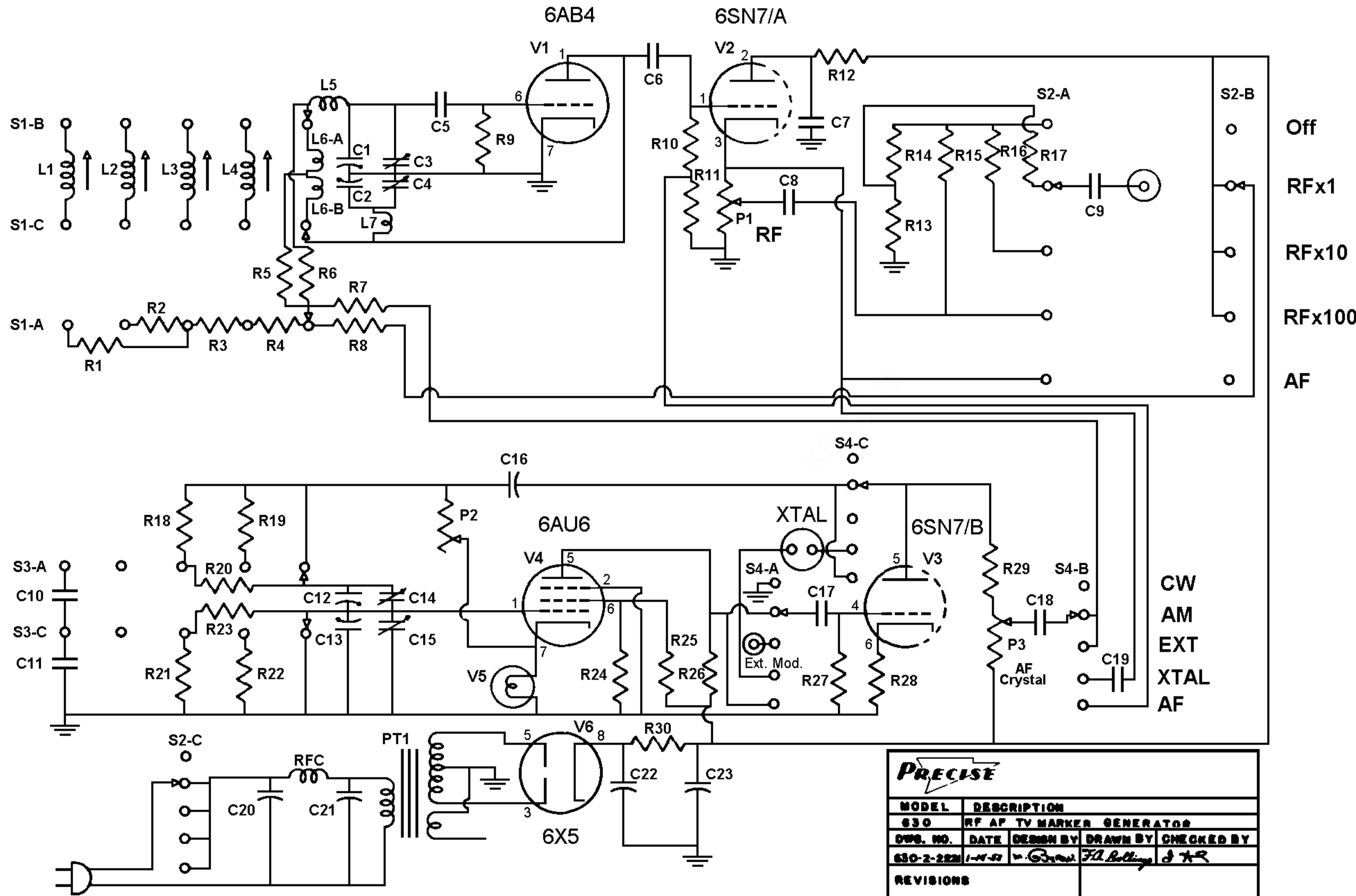


# SCHEMATIC



<b>PRECISE</b>				
MODEL	DESCRIPTION			
630	RF AF TV MARKER GENERATOR			
DWG. NO.	DATE	DESIGN BY	DRAWN BY	CHECKED BY
630-2-222	1-11-52	G. J. ...	F. A. ...	J. R. ...
REVISIONS				

DESCRIPTION	PART#
Variable Condenser	C1-4
300 ufd "	C5
10 " "	C6
.0015 ufd "	C7
500 ufd "	C8
.1 ufd "	C9
360 ufd "	C10
Variable "	C11
20 or 24 ufd "	C12-15
.1 ufd Condenser	C16
.25 " "	C17
10 ufd "	C18
.0015 ufd "	C19
" " "	C20
20x20 " "	C21
White Dot Coil	C22-23
Yellow " "	L1
Red " "	L2
Black " "	L3
NF Coil	L4
Bus Bar	L5
2,000 ohm Potentiometer	L6
10k " "	L7
10K Potentiometer	P1
RF Choke	P2
220K Resistor	R1
47K " "	R2
39K " "	R3
10K " "	R4
820 " "	R5
20K " "	R6
1K " "	R7
3.9K " 1 Watt	R8
300K Resistor	R9
470K " "	R10
100K " "	R11
10K " "	R12
10 " "	R13
68 " "	R14
100 " "	R15
1.8M 5% Res.	R16
180K " "	R17
10M " "	R18
1.8M " "	R19
180K " "	R20
10M " "	R21
56K Resistor	R22
100K " "	R23
" " "	R24
1.2M " "	R25
1K " "	R26
3.9K " "	R27
2.2K " 1 Watt	R28
5 Position Switch (long)	R29
" " "	R30
" " "	S1
" " "	S2
" " "	S3
" " "	S4
6AB4 Tube	V1
6SN7 " "	V2
6AU6 " "	V3
Pilot Light (large)	V4
6X5	V5