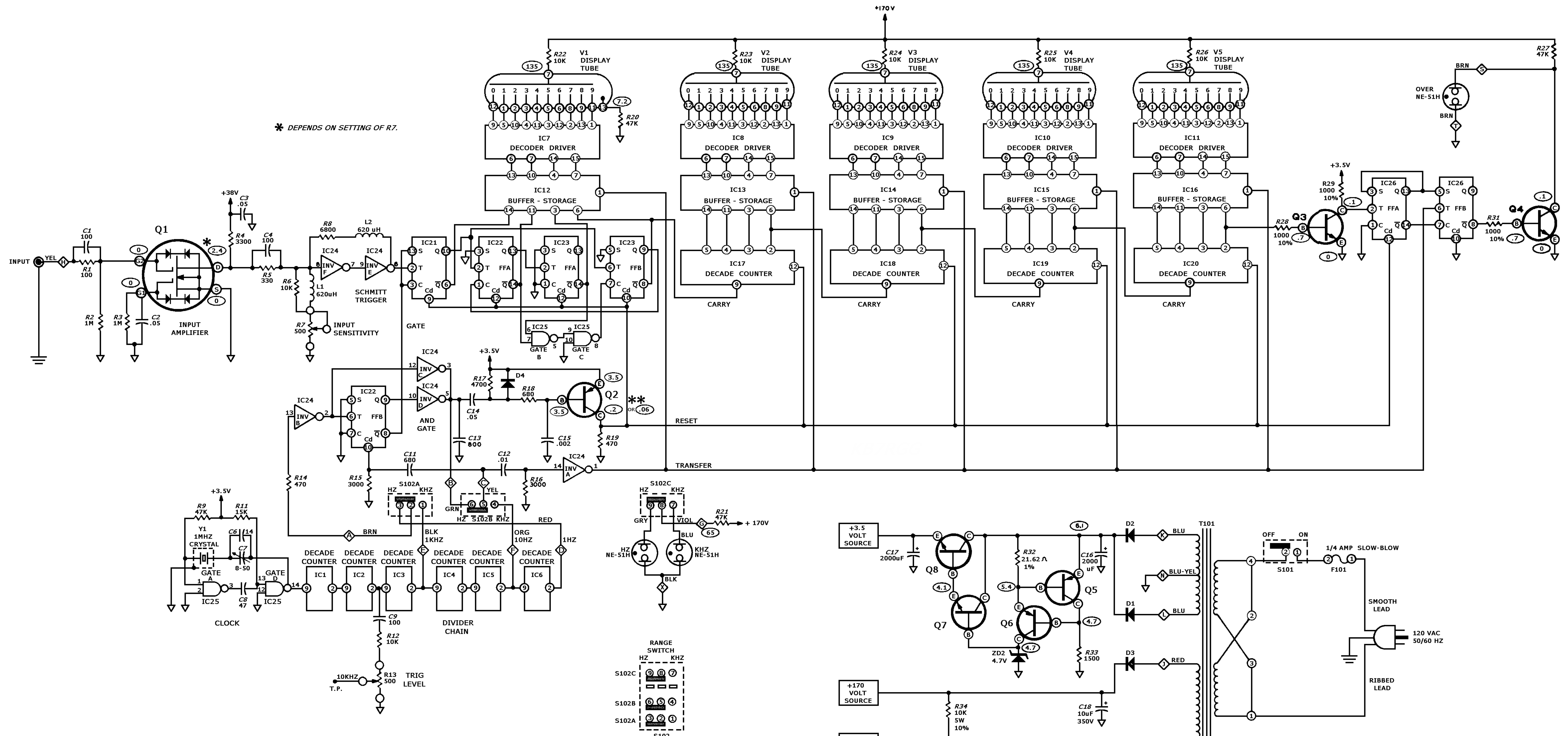


HEATH MODEL IB-101 FREQUENCY COUNTER



- NOTES:
- COMPONENT NUMBERS ARE IN THE FOLLOWING GROUPS;
1-99 PARTS MOUNTED ON THE CIRCUIT BOARD.
100-199 PARTS MOUNTED ON THE CHASSIS.
 - ALL RESISTORS ARE 1/2 WATT UNLESS MARKED OTHERWISE.
RESISTOR VALUES ARE IN OHMS (k=1000, M=1,000,000).
 - ALL RESISTORS ARE 5% UNLESS MARKED OTHERWISE.
 - ALL CAPACITOR VALUES LESS THAN 1 ARE IN μ F. VALUES OF 1 AND ABOVE ARE IN pF UNLESS MARKED OTHERWISE.
 - ∇ THIS SYMBOL INDICATES CIRCUIT BOARD GROUND.
 - \equiv THIS SYMBOL INDICATES CHASSIS GROUND.
 - \diamond THIS SYMBOL INDICATES A LETTERED CIRCUIT BOARD CONNECTION.
 - \circ THIS SYMBOL INDICATES A DC VOLTAGE TAKEN WITH A HIGH IMPEDANCE INPUT VOLTMETER FROM THE POINT INDICATED TO CHASSIS GROUND WITH NO INPUT SIGNAL TO THE COUNTER. VOLTAGES MAY VARY $\pm 20\%$.
 - ** WITH THE RANGE SWITCH IN THE HZ POSITION, THE VOLTAGE IS .06 VOLTS. WITH THE RANGE SWITCH IN THE KHZ POSITION, THE VOLTAGE IS .2 VOLTS.

