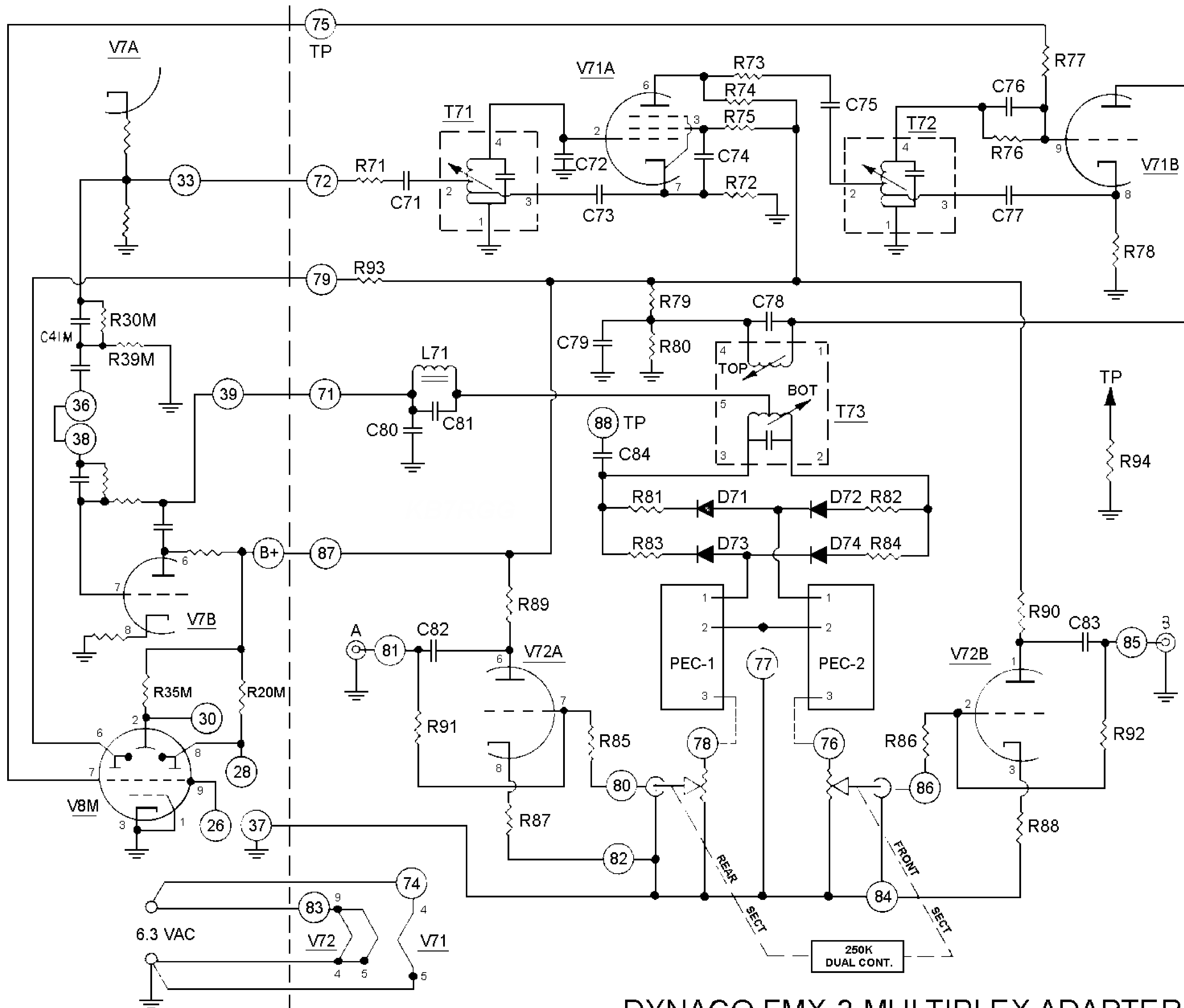


**PARTS LIST FOR
SCHEMATIC DIAGRAM**



| | |
|-------|----------------------|
| R 20M | 100,000 ohms |
| R 30M | 22,000 ohms |
| R 35M | 18,000 ohms |
| R 39M | 22,000 ohms |
| R 71 | 18,000 ohms |
| R 72 | 240 ohms |
| R 73 | 22,000 ohms |
| R 74 | 47,000 ohms |
| R 75 | 150,000 ohms |
| R 76 | 1.2 megohms |
| R 77 | 3.3 megohms |
| R 78 | 2,200 ohms |
| R 79 | 220,000 ohms |
| R 80 | 150,000 ohms |
| R 81 | 47,000 ohms |
| R 82 | 47,000 ohms |
| R 83 | 47,000 ohms |
| R 84 | 47,000 ohms |
| R 85 | 100,000 ohms |
| R 86 | 100,000 ohms |
| R 87 | 1,000 ohms |
| R 88 | 1,000 ohms |
| R 89 | 100,000 ohms |
| R 90 | 100,000 ohms |
| R 91 | 470,000 ohms |
| R 92 | 470,000 ohms |
| R 93 | 470,000 ohms |
| R 94 | 1.2 megohms |
| C 41M | 470 mmfd |
| C 71 | 500 mmfd |
| C 72 | 220 mmfd |
| C 73 | .012 mfd |
| C 74 | .0068 mfd |
| C 75 | 500 mmfd |
| C 76 | .001 mfd |
| C 77 | .0033 mfd |
| C 78 | .0015 mfd |
| C 79 | .01 mfd |
| C 80 | 500 mmfd |
| C 81 | 100 mmfd |
| C 82 | .1 mfd |
| C 83 | .1 mfd |
| C 84 | .8 mmfd |
| D 71 | 1N541 |
| D 72 | 1N541 |
| D 73 | 1N541 |
| D 74 | 1N541 |
| L 71 | 53 mH choke |
| T 71 | Transformer = 432003 |
| T 72 | Transformer = 432003 |
| T 73 | Transformer = 432004 |
| V 8M | EMM801 |
| V 71 | 68L8 ECF8C |
| V 72 | 12AX7 ECC83 |
| PEC-1 | module = 555001 |
| PEC-2 | module = 555001 |

DYNACO FMX-3 MULTIPLEX ADAPTER