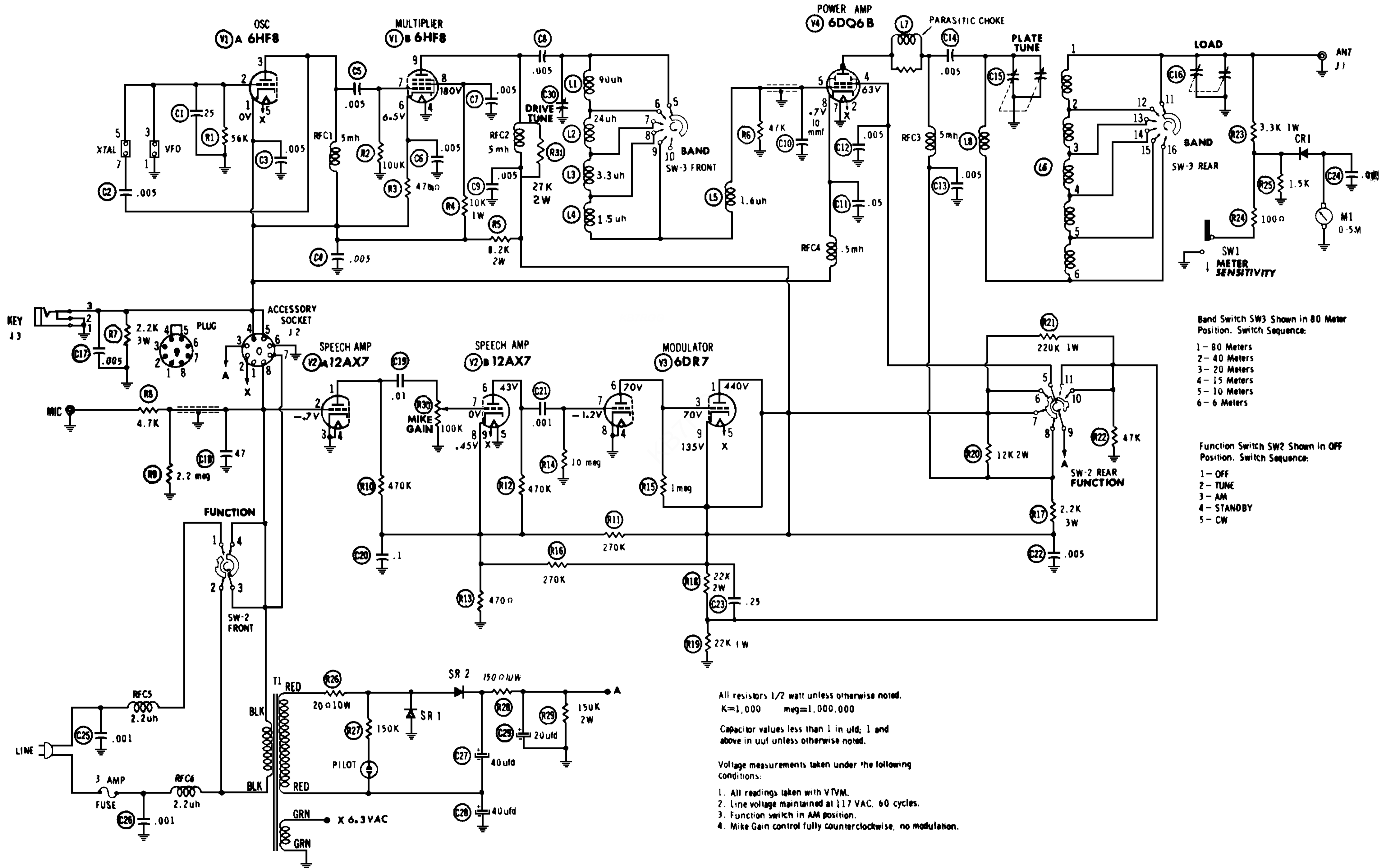


SCHEMATIC

DO NOT ATTEMPT TO TAKE VOLTAGE MEASUREMENTS
AT POINTS OF HIGH RF POTENTIAL



- Band Switch SW3 Shown in 80 Meter Position. Switch Sequence:
- 1 - 80 Meters
 - 2 - 40 Meters
 - 3 - 20 Meters
 - 4 - 15 Meters
 - 5 - 10 Meters
 - 6 - 6 Meters
- Function Switch SW2 Shown in OFF Position. Switch Sequence:
- 1 - OFF
 - 2 - TUNE
 - 3 - AM
 - 4 - STANDBY
 - 5 - CW

All resistors 1/2 watt unless otherwise noted.
K=1,000 meg=1,000,000
Capacitor values less than 1 in ufd; 1 and above in uuf unless otherwise noted.

Voltage measurements taken under the following conditions:

1. All readings taken with VTVM.
2. Line voltage maintained at 117 VAC, 60 cycles.
3. Function switch in AM position.
4. Mike Gain control fully counterclockwise, no modulation.

Knight T60