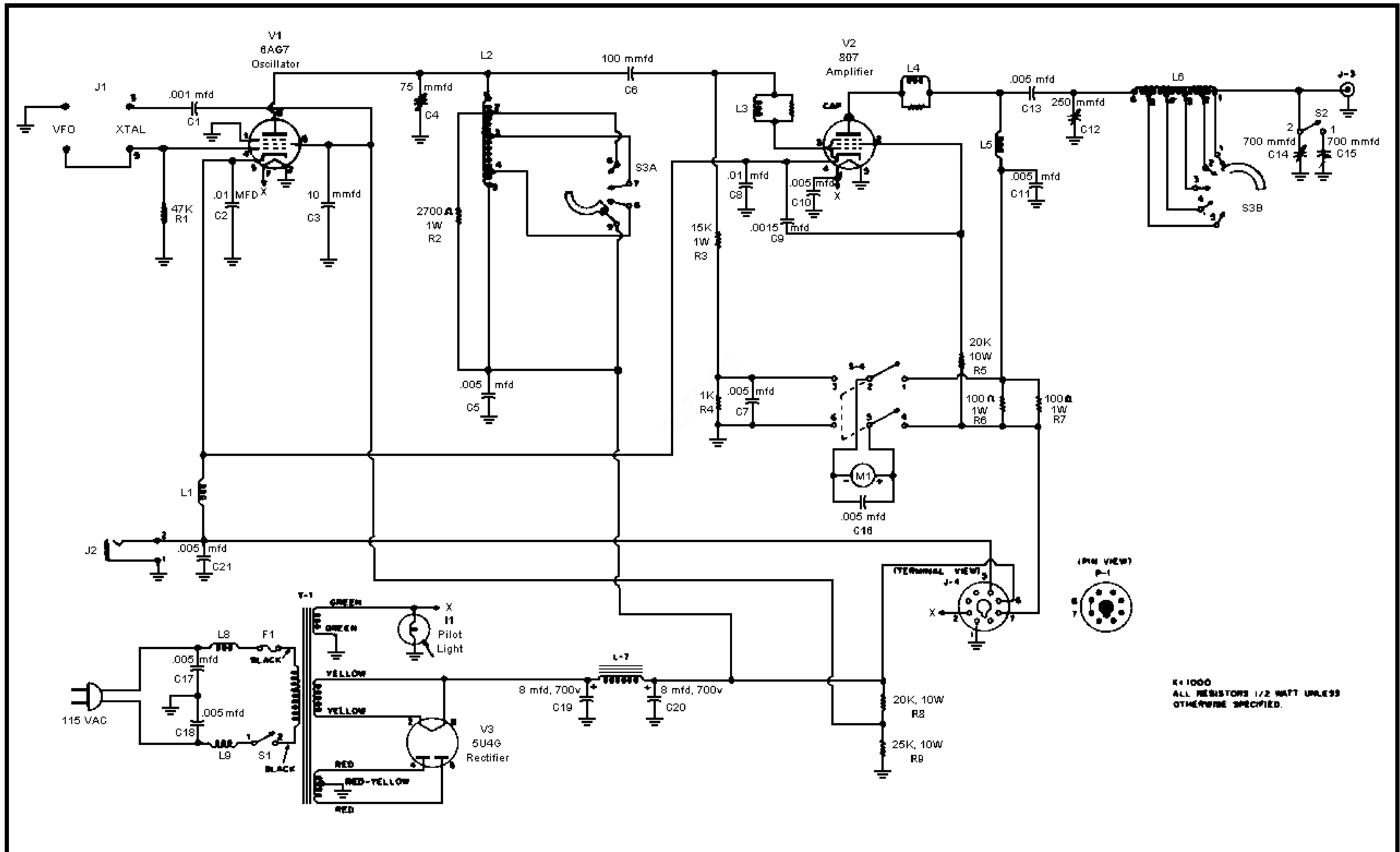


ALLIED RADIO CORPORATION



K = 1000
 ALL RESISTORS 1/2 WATT UNLESS OTHERWISE SPECIFIED.

***knight-kit* 50-Watt CW Transmitter**